



LED POWER SUPPLY DATASHEET

SNP20-12VF-E

DESCRIPTION

High Cost Performance, SELV. Open circuit, short circuit, overload and over temperature protection. Meet ERP directive, lifetime 30,000hrs.



-Input

| Items | Conditions | Request | Note |
|-----------------|---|------------|---------|
| Input voltage | Ta | AC200-240V | -- |
| Input frequency | | 50/60Hz | -- |
| Input current | 25°C, rated input voltage, output with max. rated power | < 0.23A | -- |
| Input power | | < 25W | -- |
| efficiency | | ≥ 85% | -- |
| Standby | 25°C, rated input voltage, output without load | <0.50W | average |
| Inrush current | 25°C, rated input voltage | <60A | peak |
| PF | 25°C, rated input voltage, output max. rated power | ≥ 0.5 | -- |

-Temperate and others

| Item | Conditions | Request | Note |
|-------------------|--|----------|------|
| Operation temp. | -- | -20-45°C | -- |
| Relative humidity | -- | 45%-85% | -- |
| Max. case temp. | -- | 80°C | -- |
| Lifetime | Max.Ta, rated input voltage, output with max. rated power | 30,000hr | -- |
| Working noise | 25°C, rated input voltage, output with rated power, mute box background noise < 35dB, pickup 10cm distance from products | yes | -- |

-Protection

| Items | Conditions | Request | Note |
|------------------|---|---------|------|
| Open circuit | Ta, rated input voltage, no load | -- | -- |
| Over load | Ta, 0.94-1.06 times of input voltage, 1.2 times of rated power | yes | -- |
| Short circuit | Ta, 0.94-1.06 times of input voltage | yes | -- |
| Over temperature | Ta, 0.94-1.06 times of input voltage, temperature detected pointed more than 115 degree | -- | -- |
| Over voltage | Ta, 0.94-1.06 times of input voltage, output voltage is 1.5 times of rated one | -- | -- |
| Auto recovery | Over load, short circuit revocation | yes | -- |
| Latch off | Over voltage, over heat re-start after cut off | -- | -- |

-Output

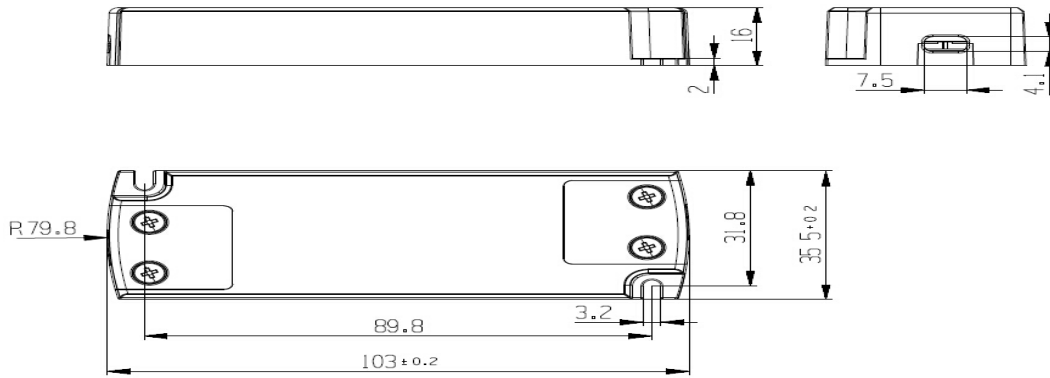
| Items | Conditions | Request | Note |
|------------------------------|---|---------|------|
| Startup time | 25°C, rated input voltage, output with max. rated power | <0.5S | -- |
| Output voltage and precision | Ta, rated input voltage, output with rated power | 12V±5% | -- |
| Output current range | Ta, rated input voltage | 0-1.67A | -- |
| Output voltage wave | 25°C, rated input voltage, output with max. rated power | <200mV | Vp-p |
| Output overload | 25°C, rated input voltage, output with 2 times LED load | -- | -- |
| Output current and precision | Ta, rated input voltage, output with rated power | -- | -- |
| Rated output voltage range | Ta, rated input voltage, | -- | -- |
| Output current wave | 25°C, rated input voltage, output with max. rated power | -- | Ip-p |
| Dimming mode | -- | -- | -- |
| Dimming range | -- | -- | -- |

-Mechanical, mounting

| Items | Conditions |
|-------------------------|--------------------------------|
| Case material and size | Plastic case |
| Mounting ways | Independent |
| Insulation type | Class II |
| IP grade | IP20 |
| Input cables dimension | H03VVH2-F 2X1.0mm ² |
| Output cables dimension | H03VVH2-F 2X1.0mm ² |
| Output cables length | max. 2m |

-Standard

| Items | Conditions |
|----------|--------------------------------|
| Safety | IEC61347-1、IEC61347-2-13 |
| Harmonic | EN61000-3-2 Class C |
| EMI | EN55015 |
| EMS | EN61000-4-2、3、4、5、6 EN61547 |



Wiring Diagram

